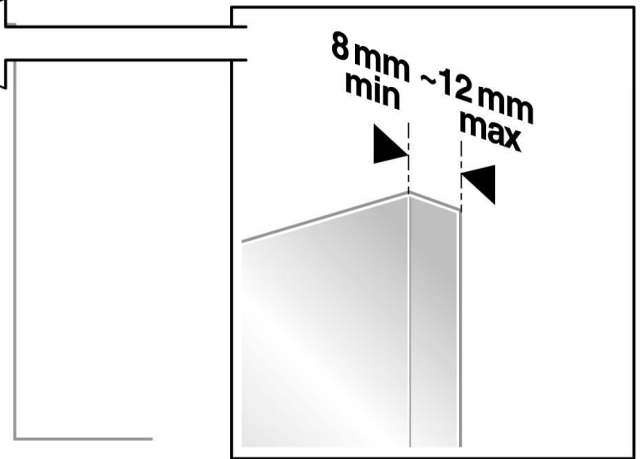
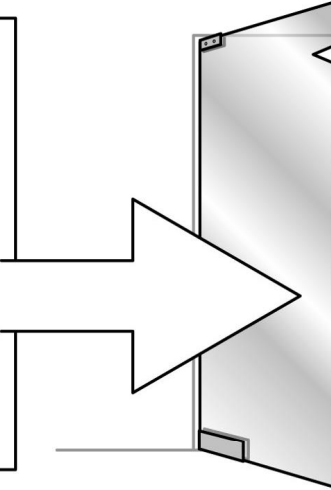
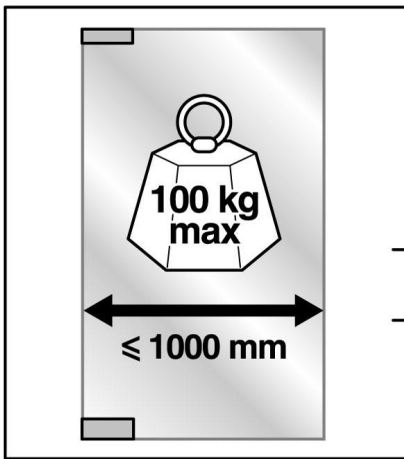


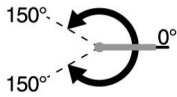
# PIVOT B-TWIST

**VERY IMPORTANT : Please read this whole manual BEFORE starting assembly**



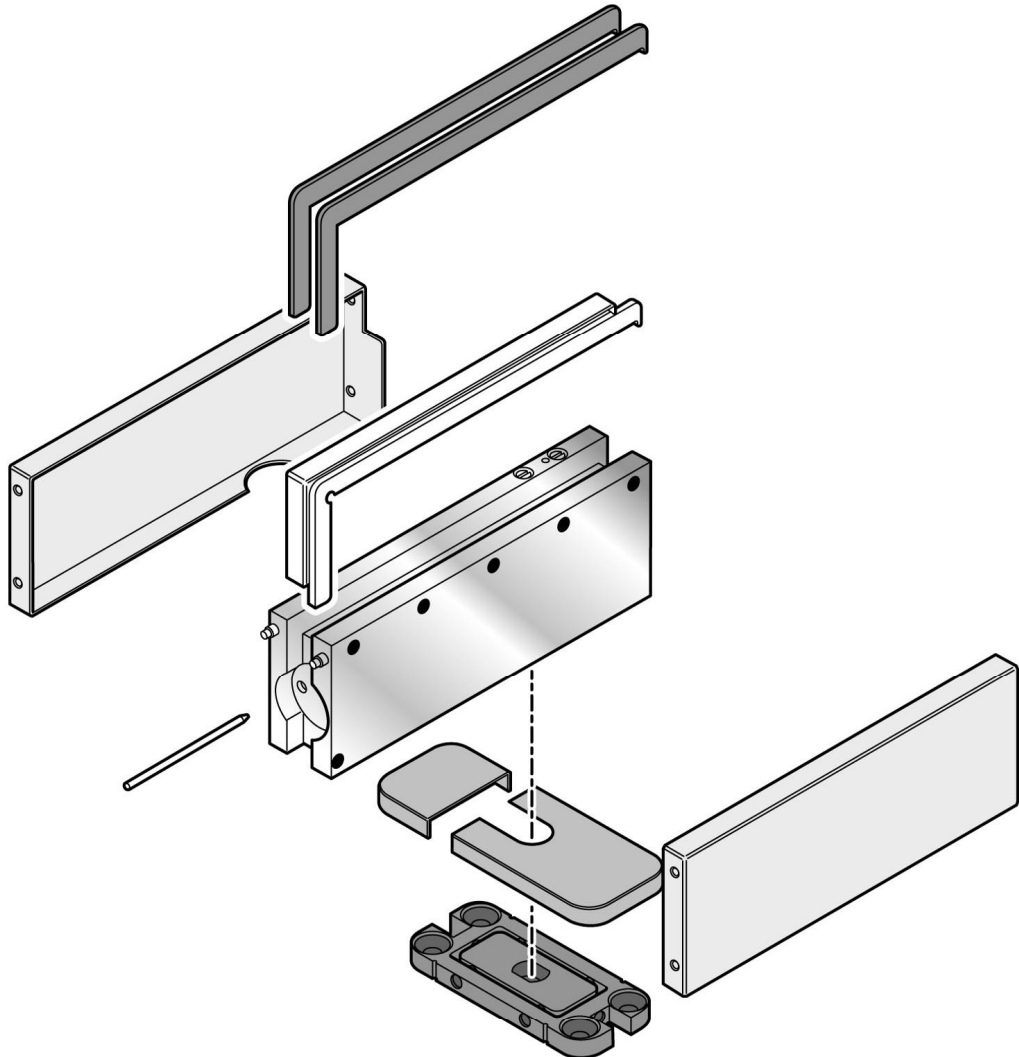
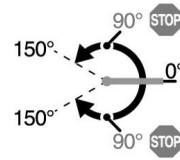
**SN313468**

**F3**



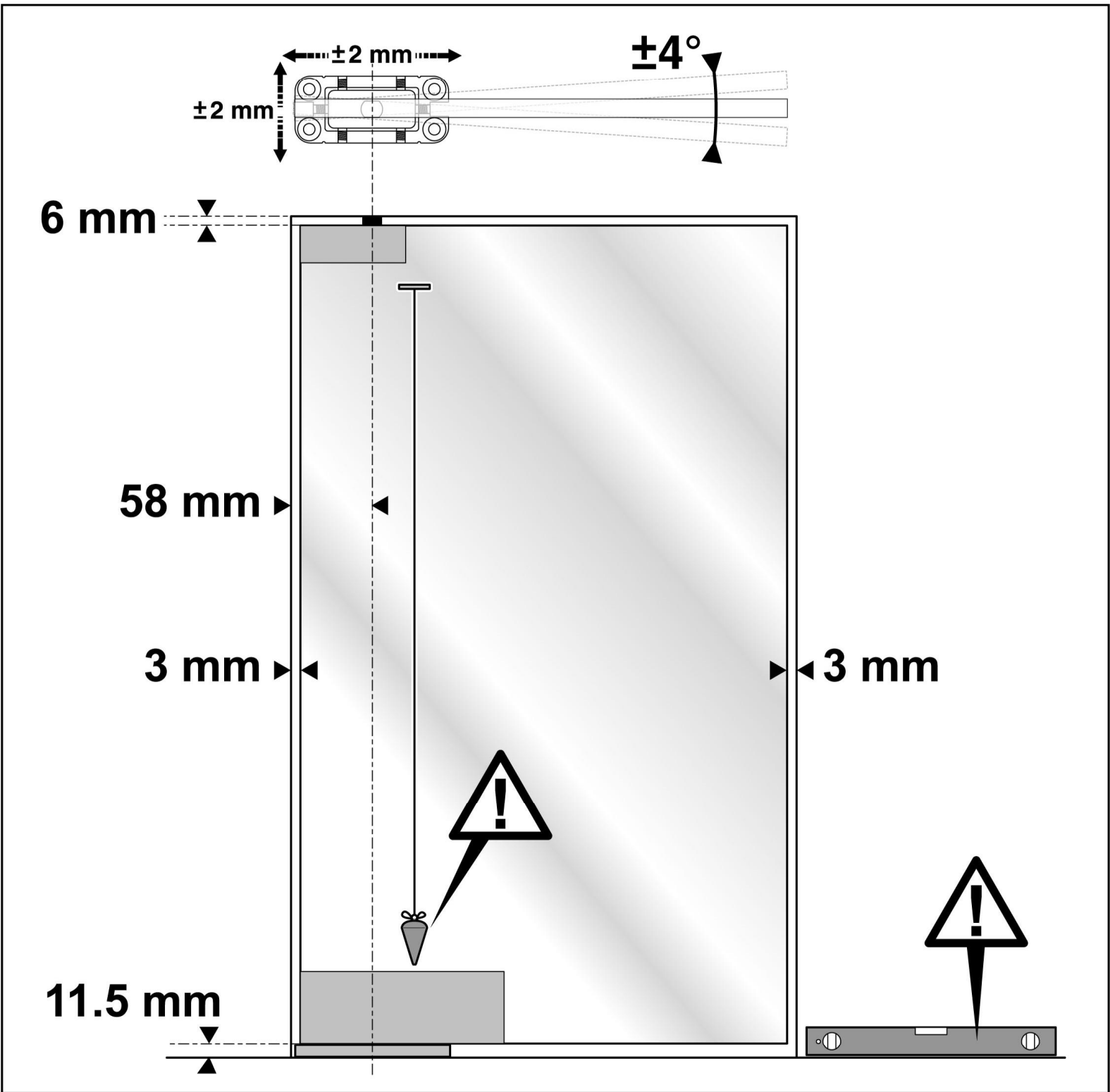
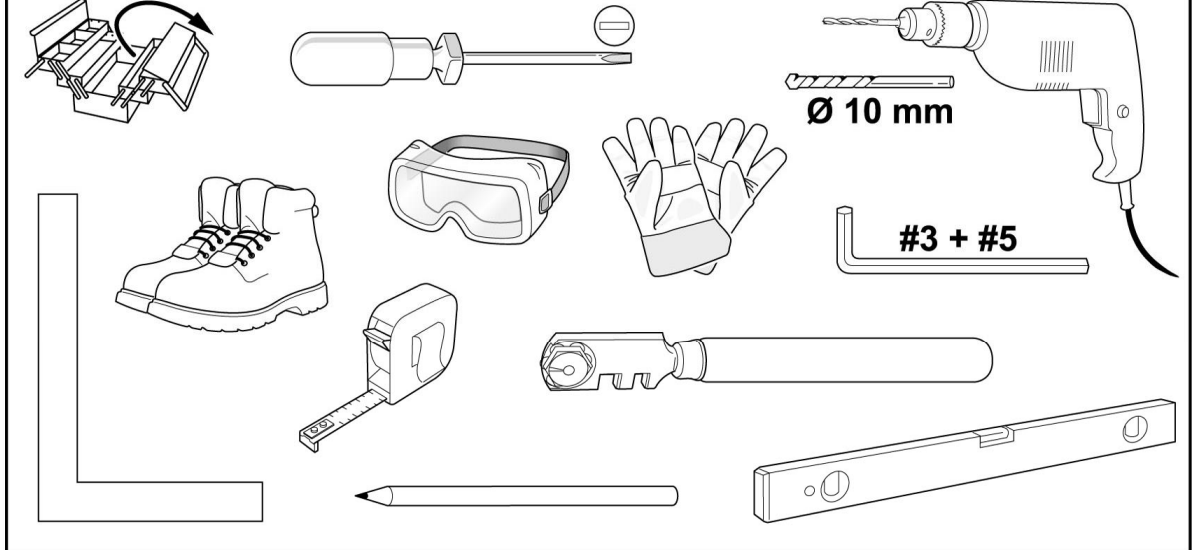
**SN313469**

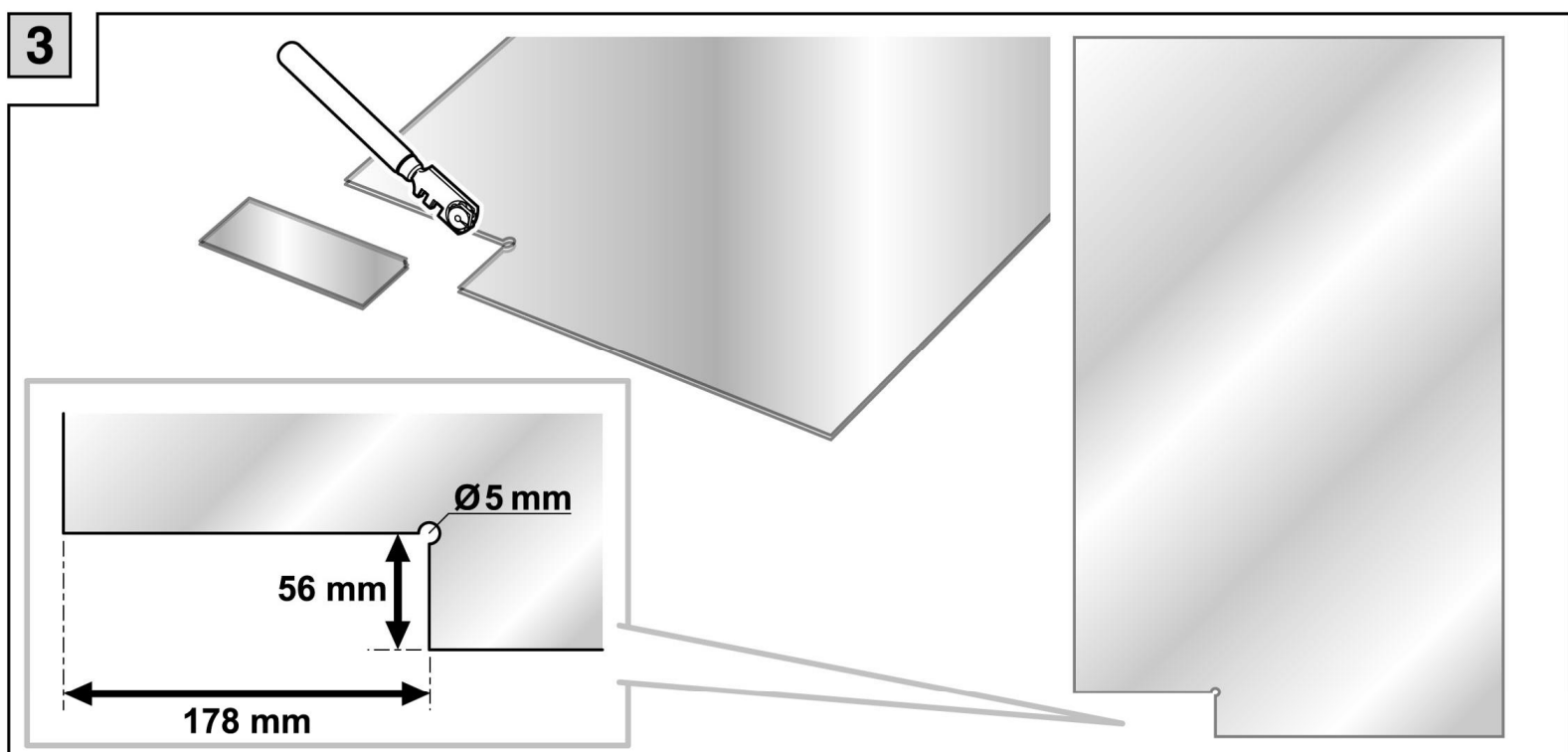
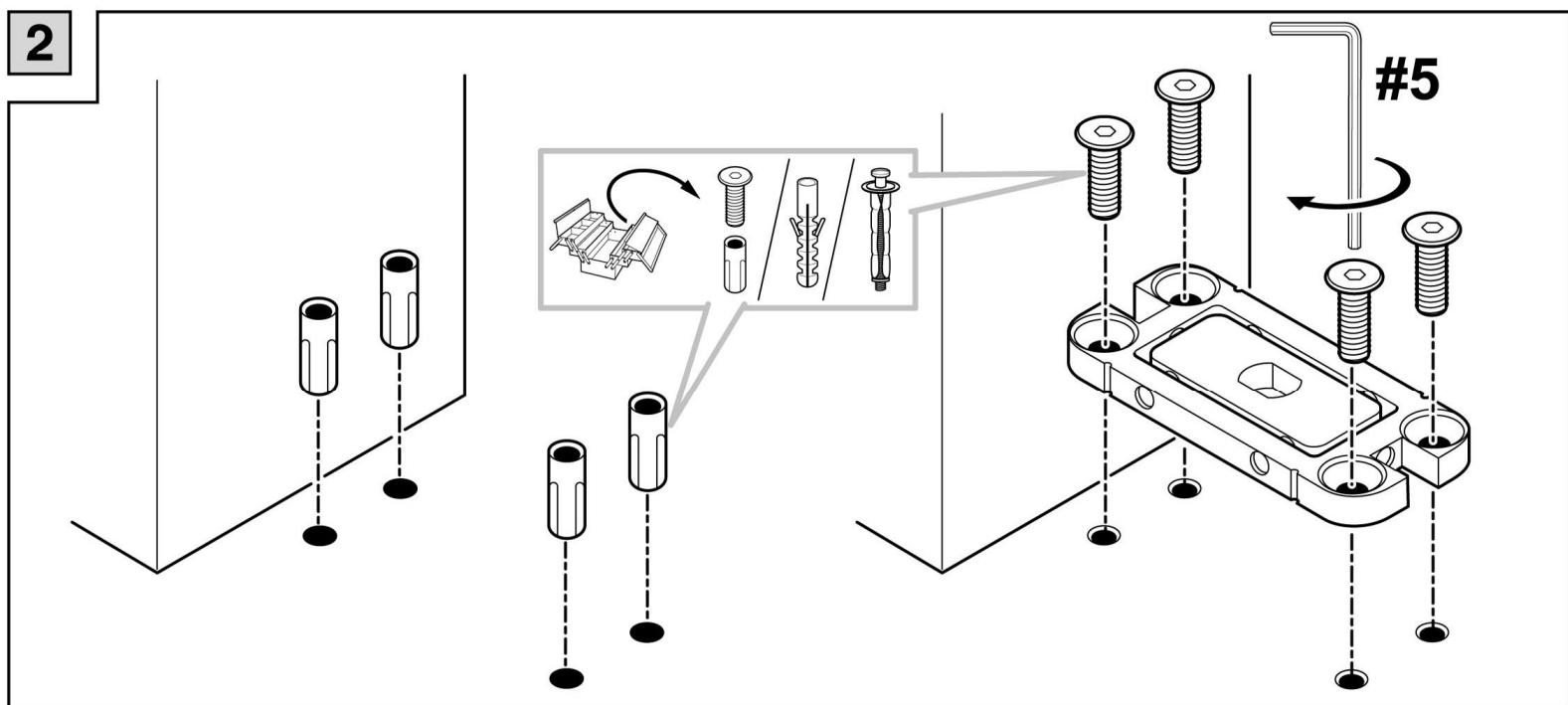
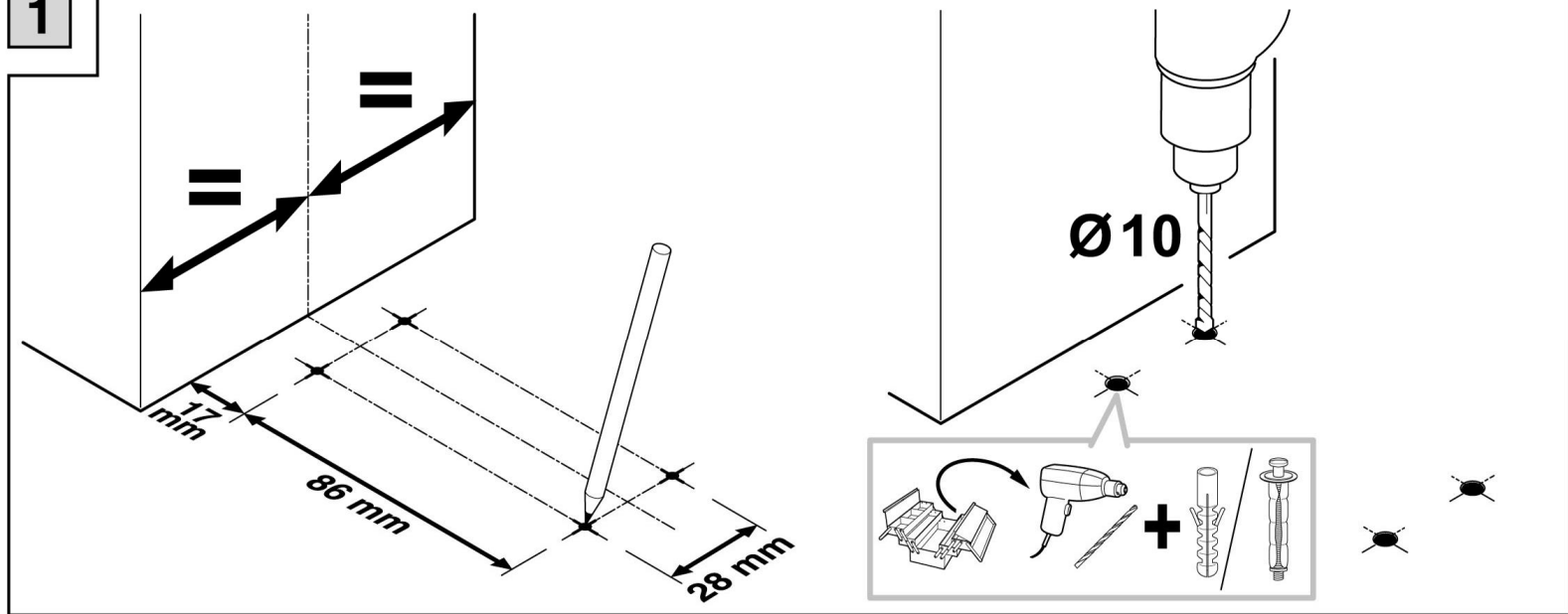
**F3**



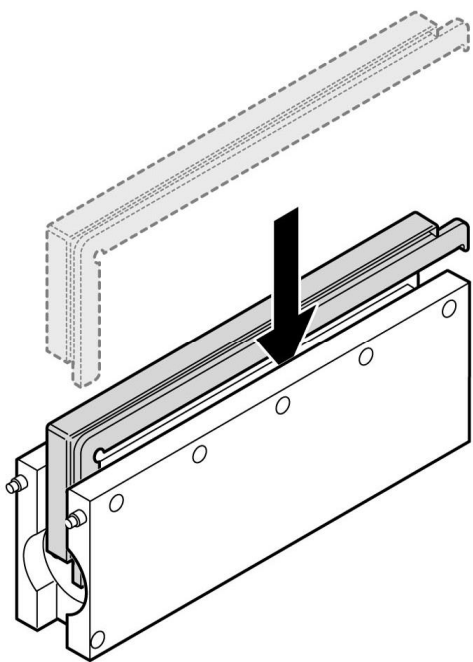
**1**

**3 h**

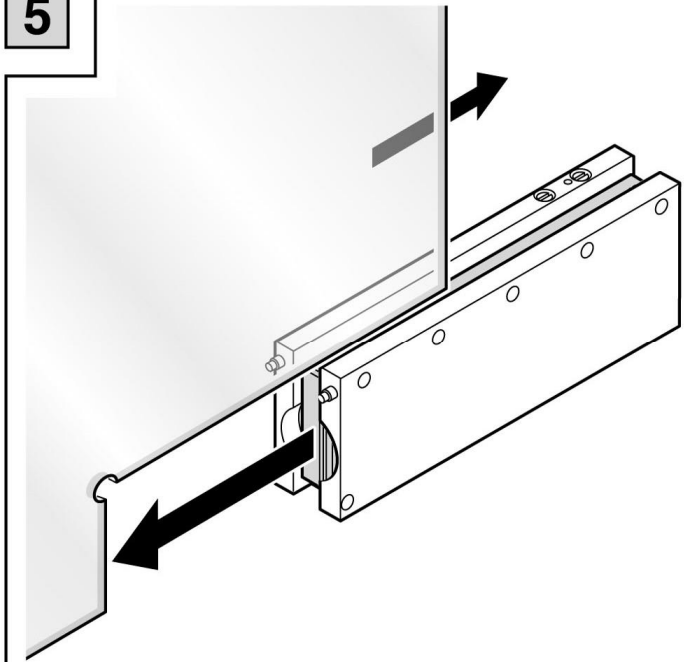




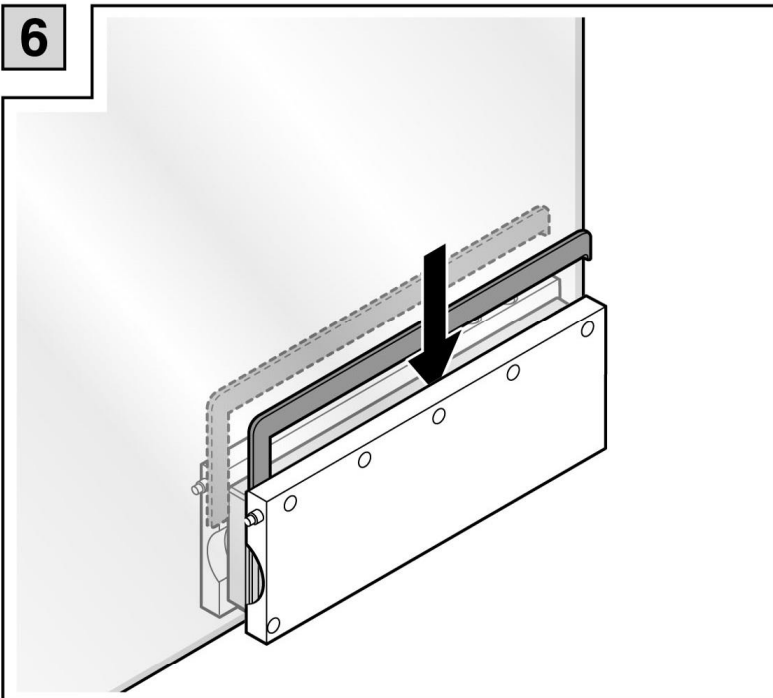
4



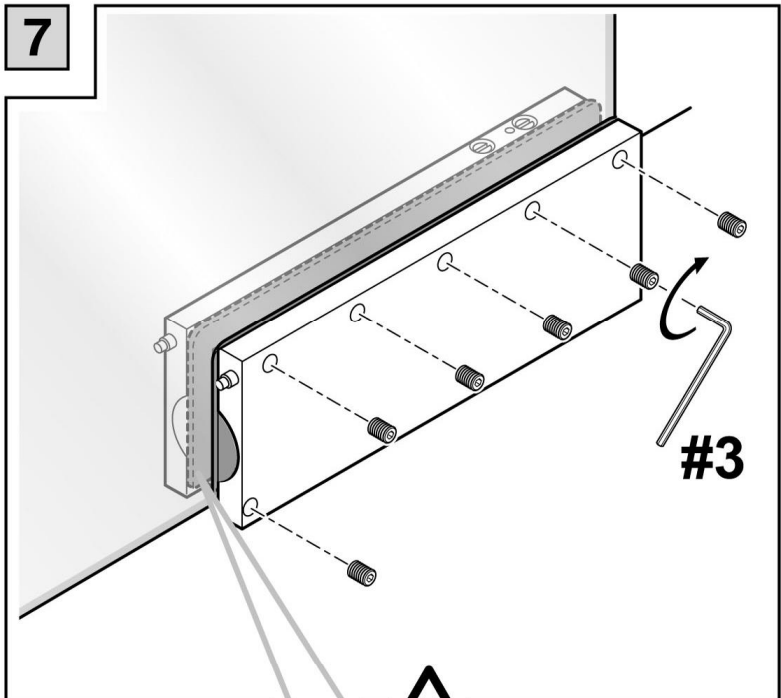
5



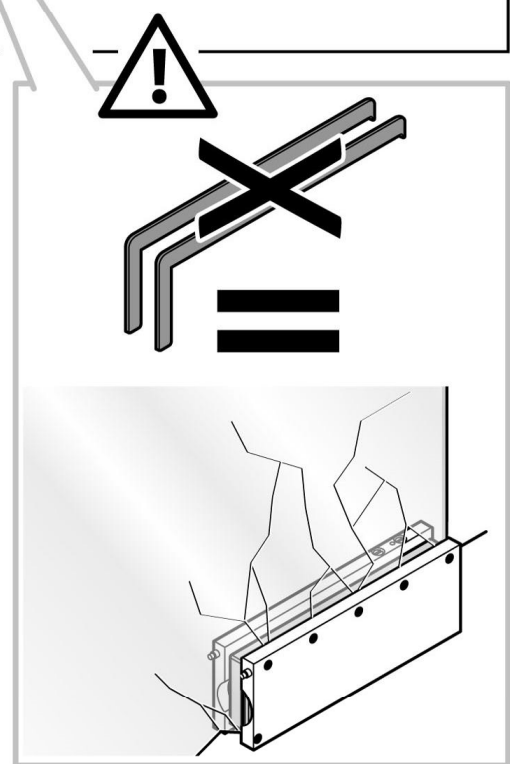
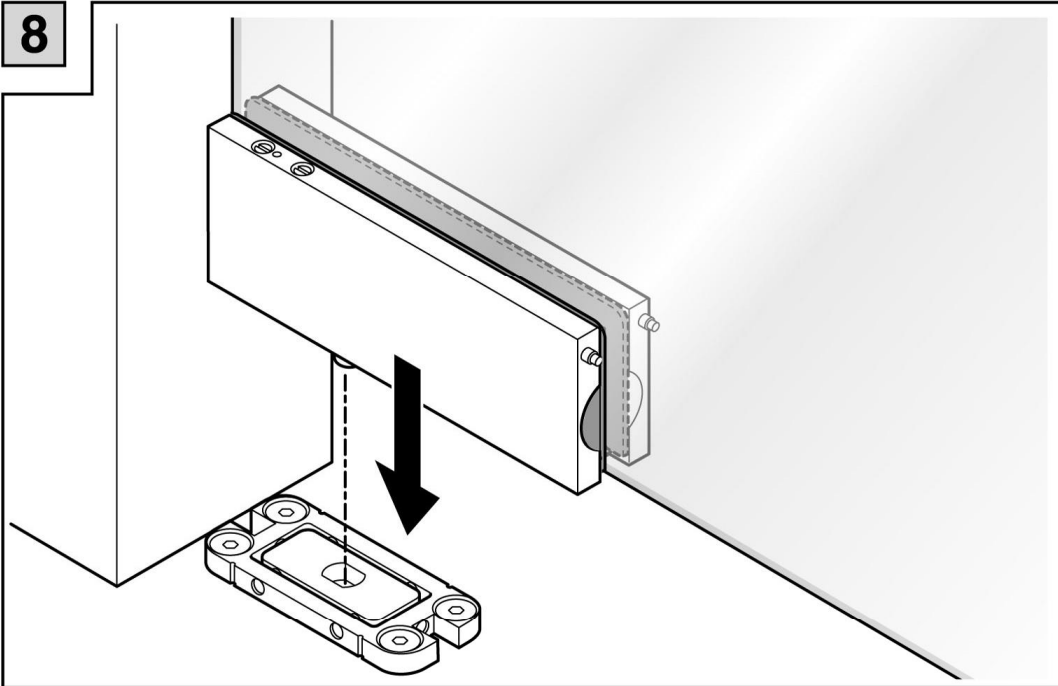
6

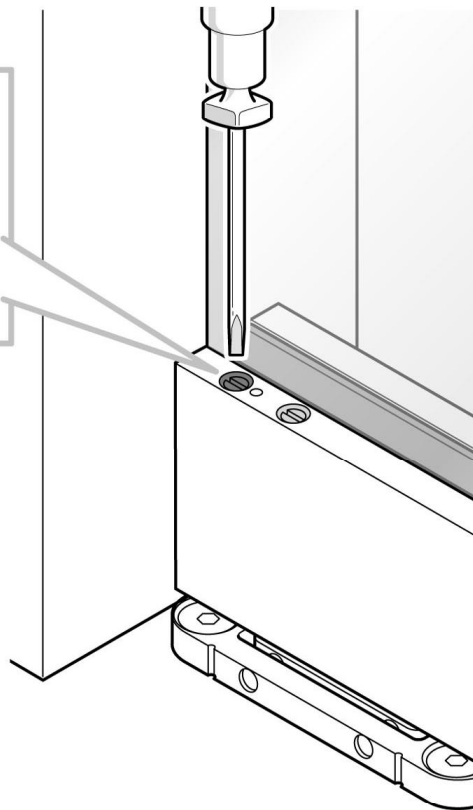
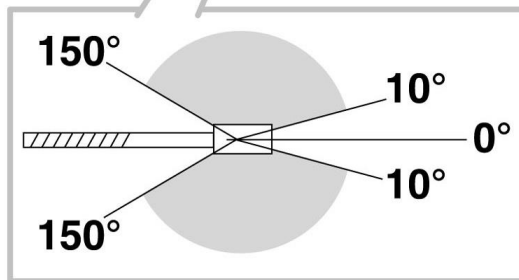
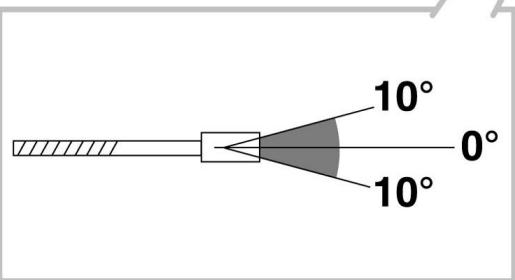
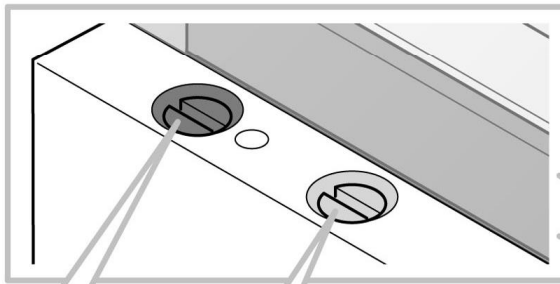
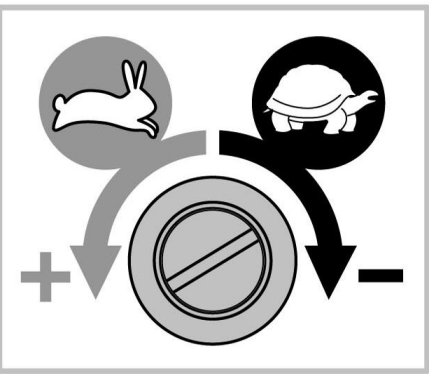
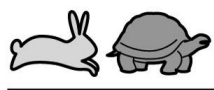
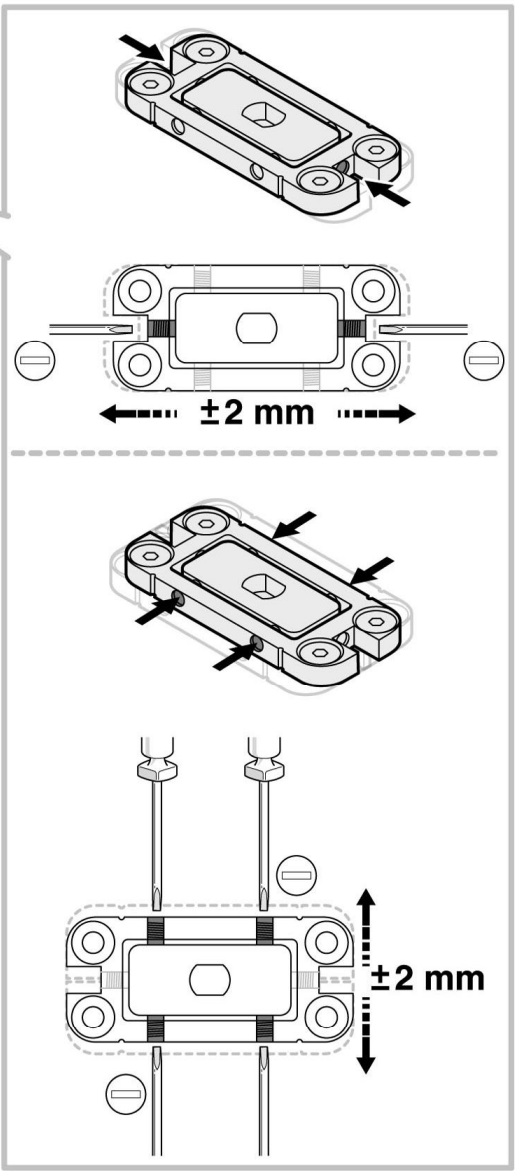
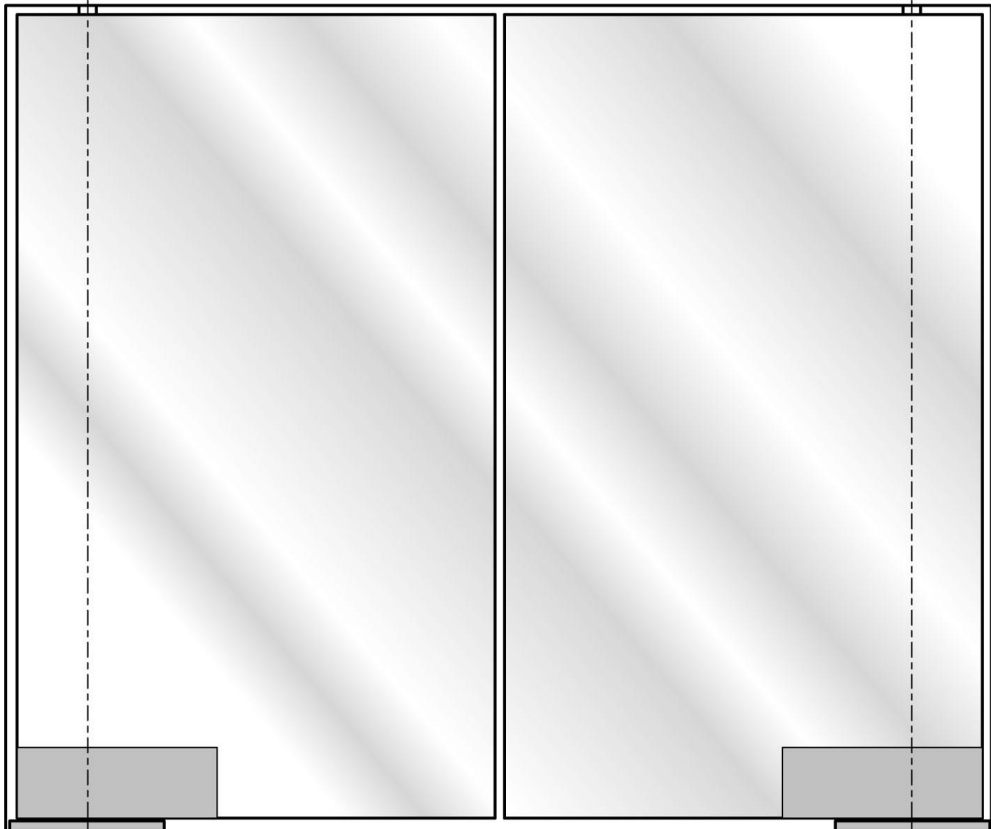
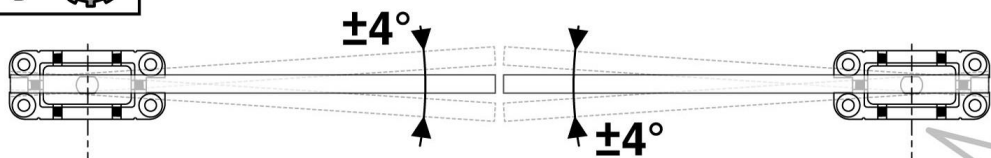


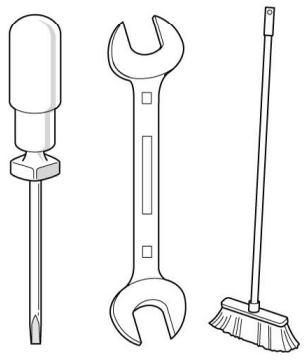
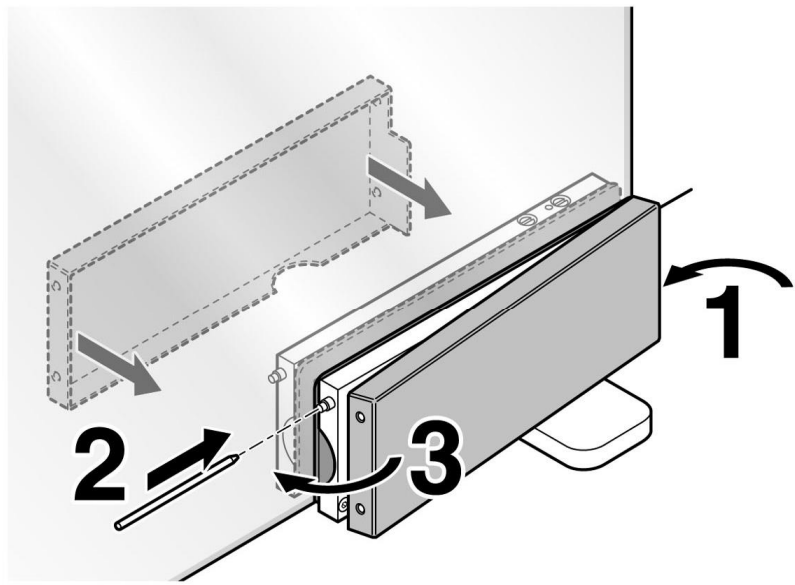
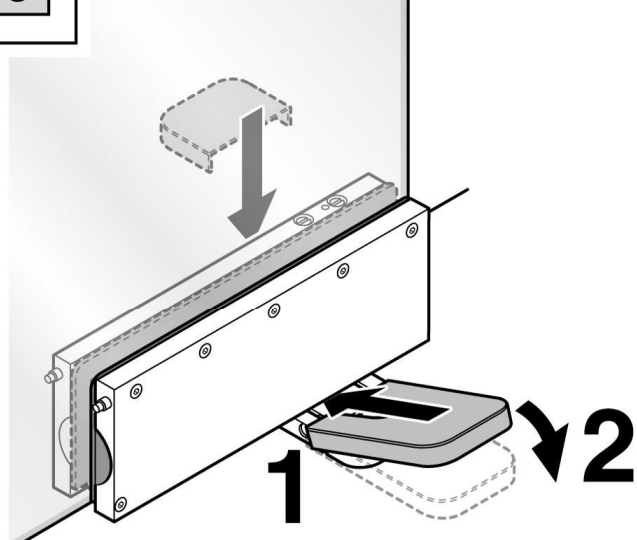
7



8







## WARRANTY

- SEVAX guarantees the product against any latent defect that might appear upon implementation
- Our guarantee expires at the end of a 24 month period following the date of manufacture, or at the end of a 12 month period following the recognized date when the products were implemented.
- Should a latent defect be suspected the customer must inform the retailer straight away so that a contradictory investigation can be carried out to determine whether the latent defect is attributable to SEVAX.
- This guarantee only concerns the replacement of the product, it does not cover labour or shipment costs. It applies in the case of normal use.
- SEVAX will take no responsibility if the product has been modified, or if the product has been set in a different way from what is recommended by our outstanding procedures, or if it is being used in a different way from what it was designed for as described in our documents, or if the defect found results from an incompatibility between our product and components from a different source. Our guarantee does not extend either to defects or damage resulting from normal wear, accidents, or a modification on the product not recommended by SEVAX.

# sevax

SAINT-GOBAIN

[www.sevax.com](http://www.sevax.com)

SAINT-GOBAIN  
SEVA

CRIESPA SEGURIDAD S.L.  
Pol.Alborán  
C/ Mar Adriático 28  
18613 Motril ( Granada )  
Tef.958831600-958831576  
Fax 958831551  
[www.criespa.com](http://www.criespa.com)  
[info@criespa.com](mailto:info@criespa.com)